



# Security Door Controls

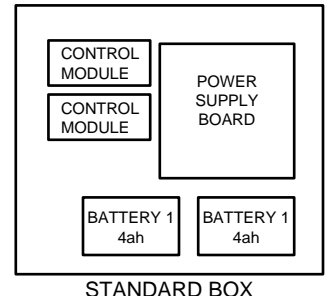
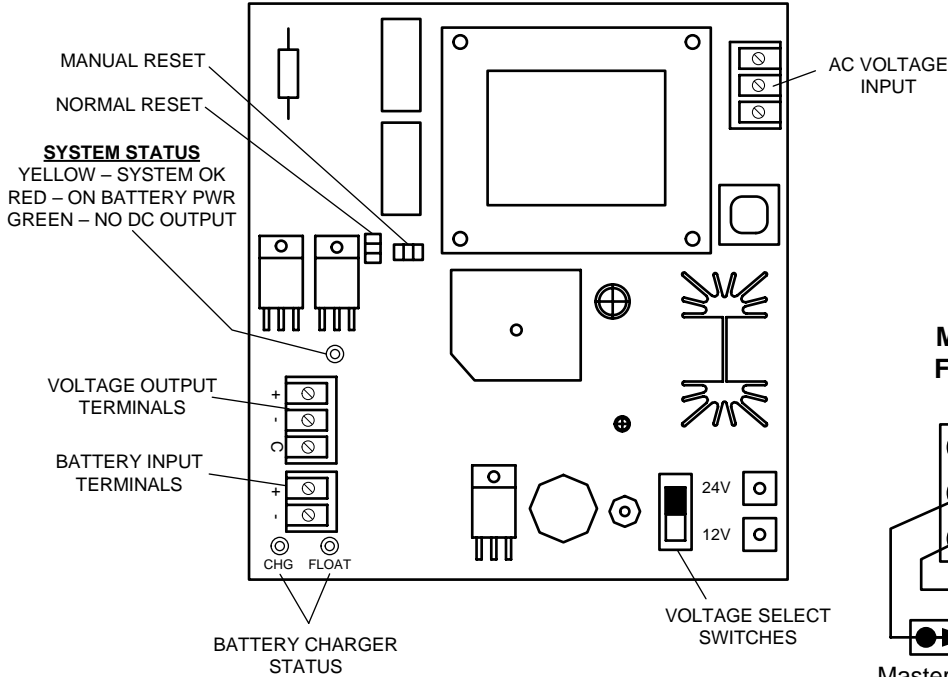
801 Avenida Acaso, Camarillo, Ca. 93012  
(805) 494-0622 • Fax: (805) 494-8861  
www.sdcsecurity.com • E-mail: service@sdsecurity.com

## POWER SUPPLY INSTALLATION INSTRUCTIONS

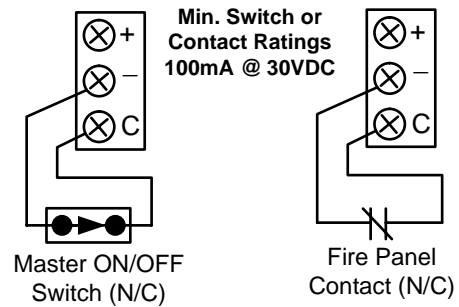
MODEL 632RF

### MODEL 632RF

### COMPONENT LOCATIONS



### MAIN SYSTEM ON-OFF OR FIRE PANEL CONNECTION



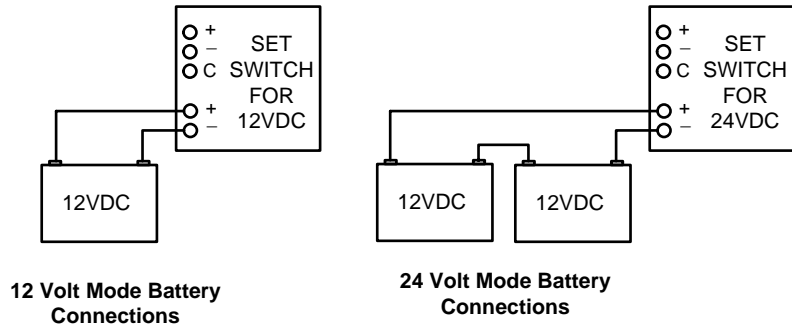
### POWER SUPPLY SPECIFICATIONS

Input Voltage: 115 VAC @ 60hz  
 Input Current: 1.0 amps Max.

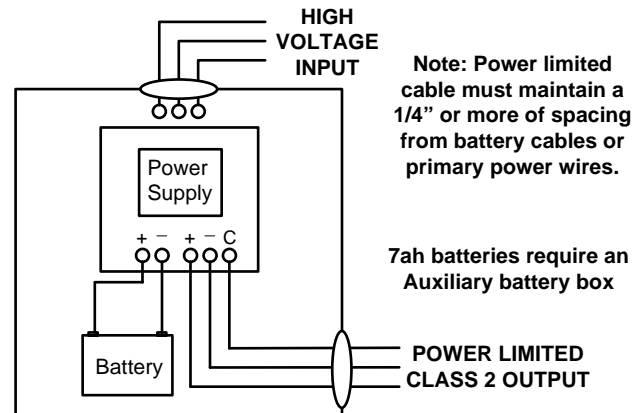
Output Voltage: 12/24VDC  
 Output Voltage Ranges:  
 12 V Operation: 9.2 – 12.0 VDC  
 24 V Operation: 21.2 – 24.0 VDC

Output Current: 2.0 amps  
 Ripple Voltage: 0.05 Volts Max.

Battery Charger Max. Current: 0.25 amps  
 Maximum recommended battery size: 4ah  
 (Replace batteries every 3 years)



Suitable Uses:  
 Electric Lock Power Supply  
 Access Control Power Supply



Note: Power limited cable must maintain a 1/4" or more of spacing from battery cables or primary power wires.

7ah batteries require an Auxiliary battery box

**TEST UNIT ANNUALLY**



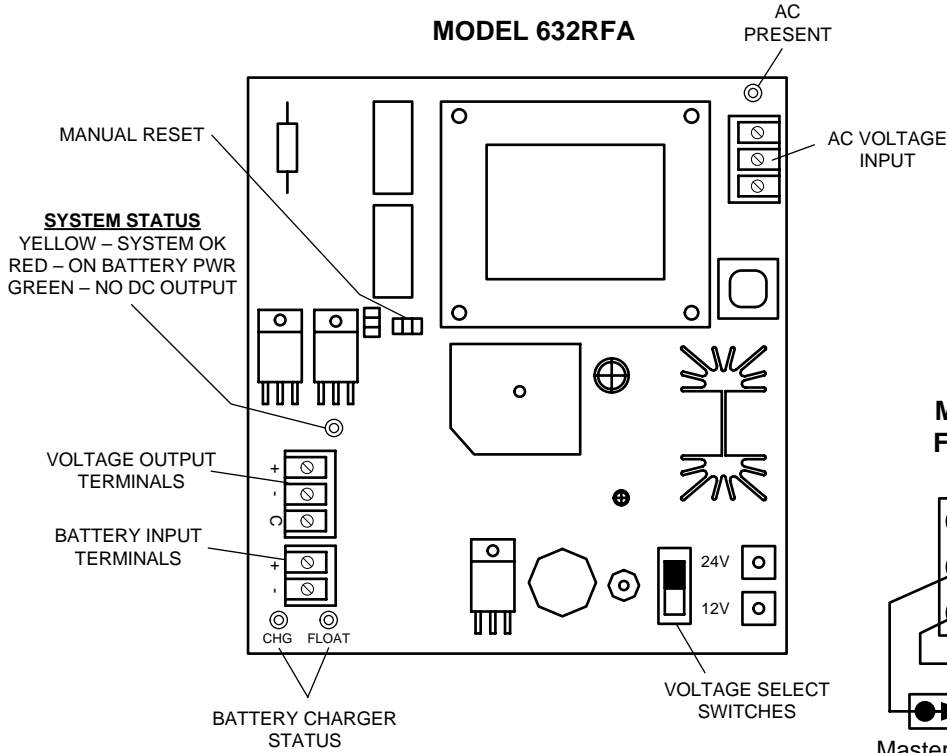
# Security Door Controls

801 Avenida Acaso, Camarillo, Ca. 93012  
(805) 494-0622 • Fax: (805) 494-8861  
www.sdcsecurity.com • E-mail: service@sdsecurity.com

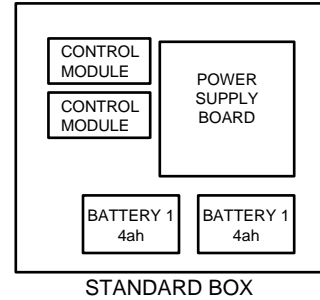
## POWER SUPPLY INSTALLATION INSTRUCTIONS

MODEL 632RFA

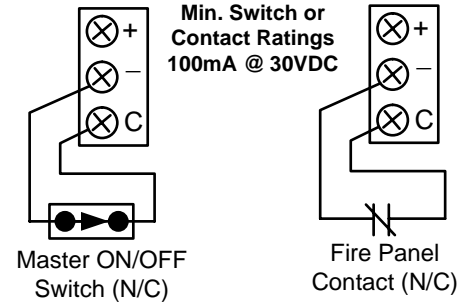
### MODEL 632RFA



### COMPONENT LOCATIONS



### MAIN SYSTEM ON-OFF OR FIRE PANEL CONNECTION



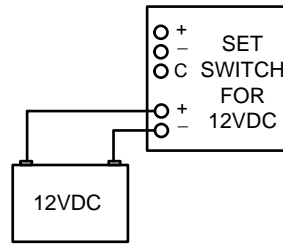
### POWER SUPPLY SPECIFICATIONS

Input Voltage: 115 VAC @ 60hz  
Input Current: 1.0 amps Max.

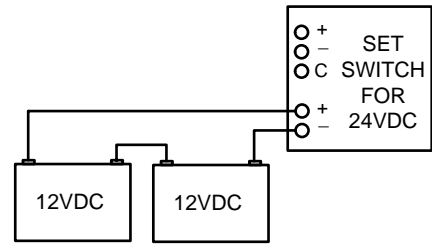
Output Voltage: 12/24VDC  
Output Voltage Ranges:  
12 V Operation: 9.2 – 12.0 VDC  
24 v Operation: 21.2 – 24.0 VDC

Output Current: 2.0 amps  
Ripple Voltage: 0.05 Volts Max.

Battery Charger Max. Current: 0.25 amps  
Maximum recommended battery size: 4ah  
(Replace batteries every 3 years)

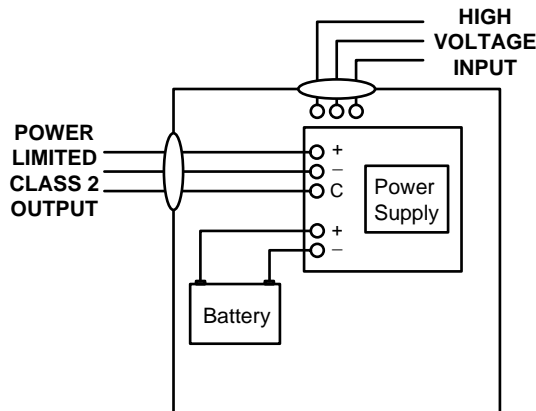


12 Volt Mode Battery Connections



24 Volt Mode Battery Connections

Suitable Uses:  
Electric Lock Power Supply  
Access Control Power Supply



Note: Power limited cable must maintain a 1/4" or more of spacing from battery cables or primary power wires.

7ah batteries require an Auxiliary battery box

**TEST UNIT ANNUALLY**